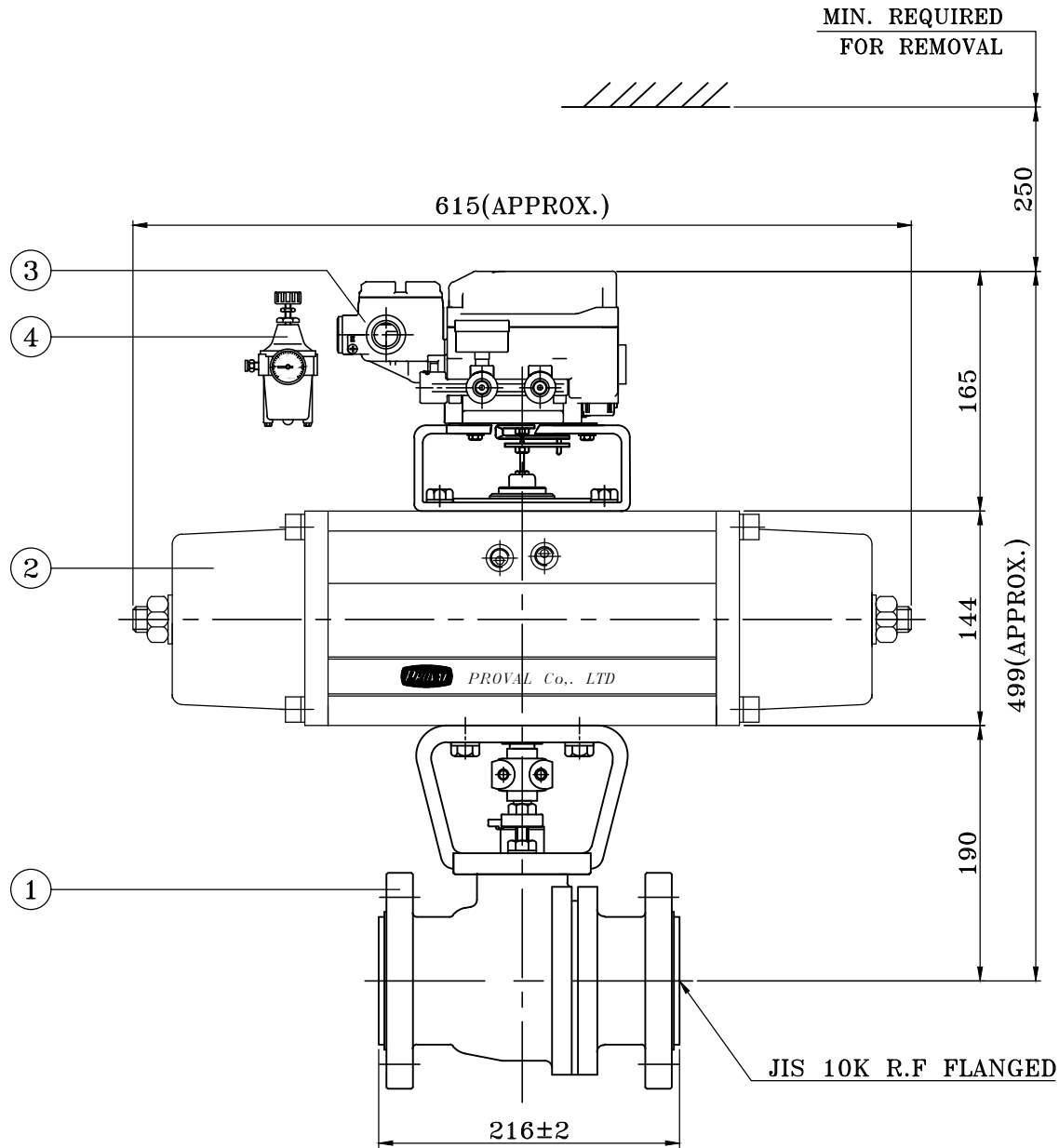




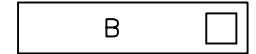
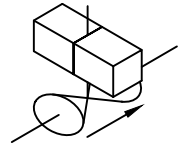
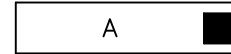
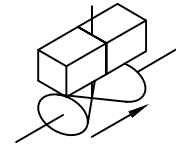
# VALVE DATA SHEET

Project	포스코 포항 냉연공장		
Item	Pneumatic Control Teflon Lined Ball Valve	Sheet No.	10 OF 10
Service		P&ID No.	
Tag. No.	446A-21-FCV04	MFG. No.	20221061
Model No.	YABT-122C1	Q'ty (Set)	1

SERVICE CONDITIONS	1	Medium				ACTUATOR	46	Actuator Type	Single Acting Cylinder		
	2		Max. Q	Nor. Q	Nin. Q		47	Model No.	B4SR		
	3	Flow Rate	kg/hr				48	Close At (bar G)	Open At (bar G)	2.0	3.5
	4	Inlet Pressure	kgf/cm <sup>2</sup> G				49	Fail Position (Signal / Air)	Close		
	5	Outlet Pressure	kgf/cm <sup>2</sup> G				50	Hand-Wheel (Type / Location)	-		
	6	Differential Pressure	kgf/cm <sup>2</sup>				51	Painting Color (RAL No.)	RAL 5019		
	7	Inlet Temperature	℃				52	Painting Type	Polyurethane		
	8	Specific Gravity	G				I / P POSITIONER	53	Input Signal (mA DC)	4 ~ 20	
	9	Density	kg/m <sup>3</sup>					54	Output Pressure (bar G)	2.0 ~ 3.5	
	10	Molecular Weight	M.W					55	Type	Conventional	
	11	Viscosity	cPs					56	Enclosure	IP-66	
	12	Predicted SPL	dB(A)					57	Model No.	EP-6100	
	13	Calculated Cv						59	MFG.	Proval	
	14	Opening Lift	%					POSITION TRANSMITTER	59	Output (mA DC)	-
	15						60		Type	-	
	16						61		Model No.	-	
DESIGN	17	Shut Off ΔP			kgf/cm <sup>2</sup> G	SOLENOID VALVE	62	Power	-		
	18	Design Pressure			kgf/cm <sup>2</sup> G		63	Type	-		
	19	Design Temp.			℃		64	Enclosure	-		
LINE	20	Inlet Pipe Size (A) / Sch. No.	50			LIMIT SWITCH	65	Model No.	-		
	21	Outlet Pipe Size (A) / Sch. No.	50				66	MFG.	-		
BODY & TRIM	22	Body Type	Ball (2-Way)			AIR SET	67	Quantity	-		
	23	Body Size (B) / Port Size (B)	50	50			68	Type	-		
	24	Trim Design	Guide	Concentric	Top & Bottom	ACCESSORY	69	Enclosure	-		
	25	Trim Type	Trim Seal Ring	-	-		70	Model No.	-		
	26	Rating & End Connection	JIS 10K R.F Flanged				71	MFG.	-		
	27	Flange Facing	-				72	Air Supply Pressure (bar G)	5.0		
	Material	28	Body	Ductile + PTFE				73	Model No.	AR-1501	
		29	Plug / Disc / Ball	Ductile + PFA				74	Lock-Up Valve	-	
		30	Seat	Ductile + PFA				75	Volume Booster	-	
		31	Cage	-				76	Snap Acting Relay	-	
		32	Stem	-				77	Check Valve	-	
	33	Packing	PTFE				78	Air-Operated Valve	-		
	34	Bonnet Type	Standard			79	Exhaust Valve	-			
	35	Trim Form	Quick-Open			80	Speed-Controller	-			
	36	Max.Allow Sound Level (dBA)	85			81					
	37	Required Seat Tightness	ANSI CLASS IV			82					
	38	Rated Cv	-			83					
	39	Stroke	90°			84					
	40	Flow Action To	Direct			85					
	41	Painting Color (RAL No.)	-			MISCELLANEOUS	86	Conduit Connection	Air Supply	PT.F 1/4"	
	42	Painting Type	-				87		Electrical	PF.F 1/2"	
	43						88	Water Seal	-		
	44						89	Tubing Material	316 SS		
	45						90				
	NOTE										
B	2022-10-07	For Approval			S. J. K	H. S. L	S. S. H				
A	2022-10-04	For Approval			S. J. K	H. S. L	S. S. H				
No.	Date	Revision			Prepared By	Checked By	Approved By				



Actuator Location



- Tag No. : 446A-21-FCV04

4	Air-Set		
3	Limit Switch & Box		
2	Actuator		
1	Body	Ductile + PTFE	
No.	Name Of Parts	Material	Remark
Model No.	YABT-122C1	Size	50A
DWG. Name		Pneumatic Shut-Off Teflon Lined Ball Valve	
DRAW'N	J.H Bae	APP'D	J.S Noh
	Date	2022.10.07	
	Rev.	B	
	Sheet No.	10 of 10	

**PROVAL** PROVAL Co., Ltd.